

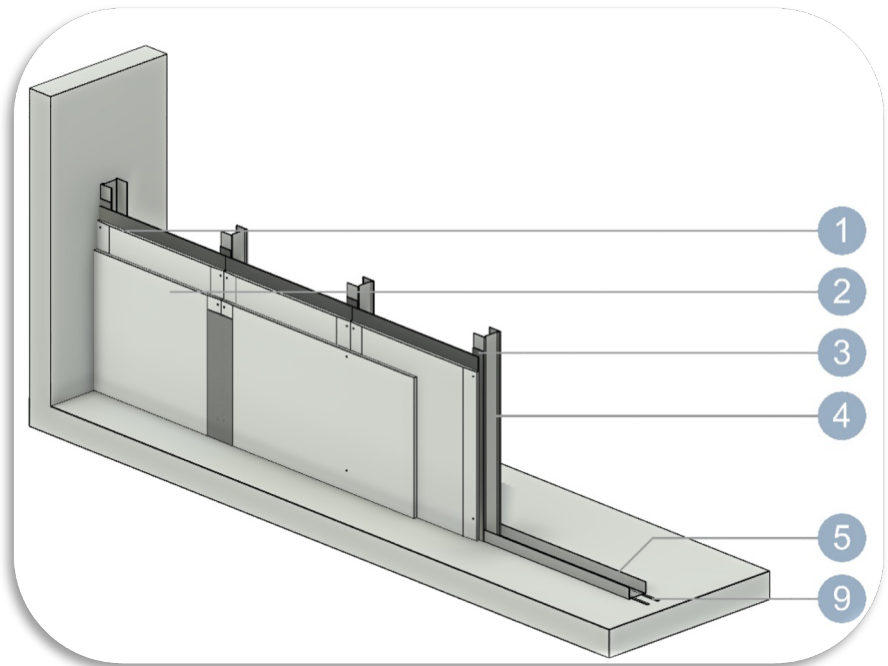
VAR101-2-75-0.5 lead

Radiation-proof, lightweight lining, with on one side VarioShield^{Basic} or VarioShield^{Plus} panel fitted with lead and a Standard Plasterboard.

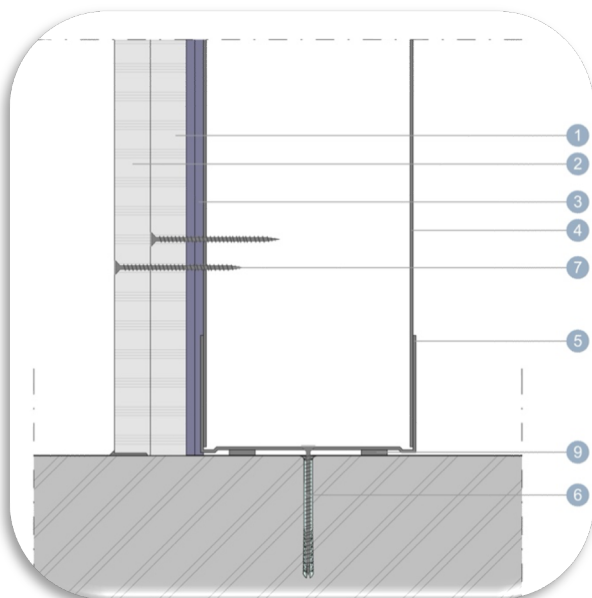
VarioShield has developed an innovative system, VarioShield^{Plus}. These small (1200 mm long, 600 mm wide) VarioShield^{Plus} panels have a special overlap that ensures you can build walls that are guaranteed radiation proof. These panels are also easy to handle thanks to their low weight.



VarioShield^{Plus}



SYSTEM PERFORMANCE	System thickness [mm]	System weight [kg/m ²]
	101	27
Sound insulation	Sound insulation R _w (C;C _{tr}) Simulation	
	36dB (-1;-3)	
Maximum height stability (DIN 18183-1)	Field of application I [mm]	Field of application II [mm]
	3500	2750
Radiation proof	Applus RTD Benelux Report	
	9287-112321/001/1/2015 rev. 0	



System structure:

1. VarioShield^{Basic} or VarioShield^{Plus} with lead 0.5 mm
2. Standard Plasterboard 12.5mm
3. Self-adhesive lead strips 0.5 mm
4. C-profile 75 mm centre-to-centre 600 mm
5. U-profile 75 mm
6. U-profile attachment on building construction
7. VarioShield screw 45 mm, centre-to-centre 250 mm
8. Insulation not necessary
9. Acoustic felt

For more information, please refer to our installation advice, documentation, reports and website.